

Hypertherm®

powermax1000® G3 SERIES™

Hand torch parts

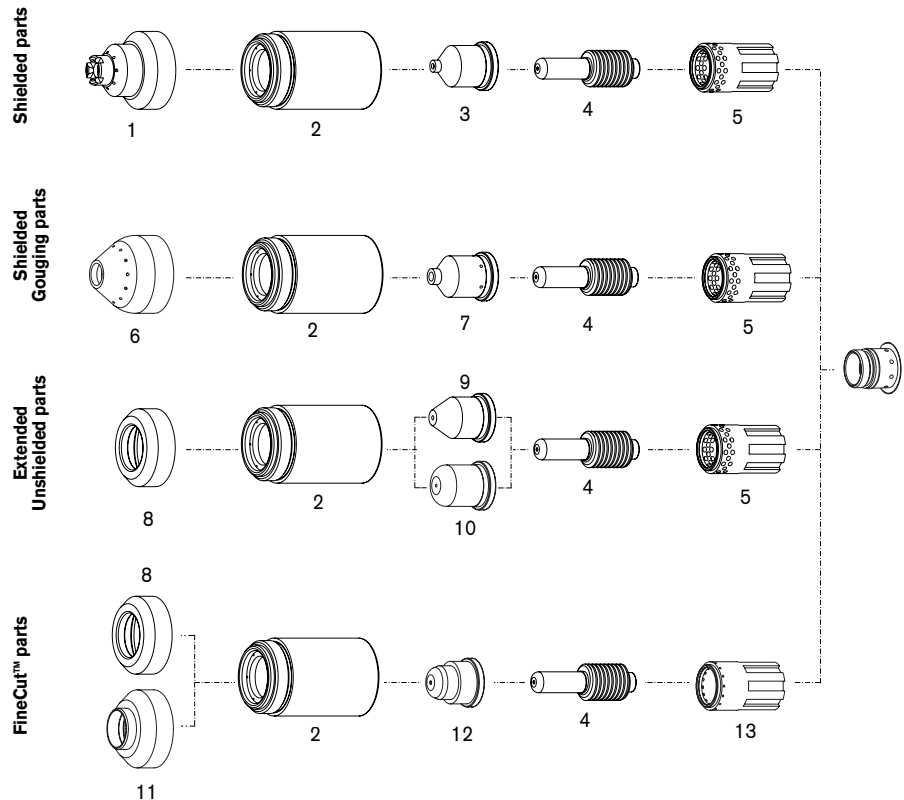
T60 consumables



Powermax1000

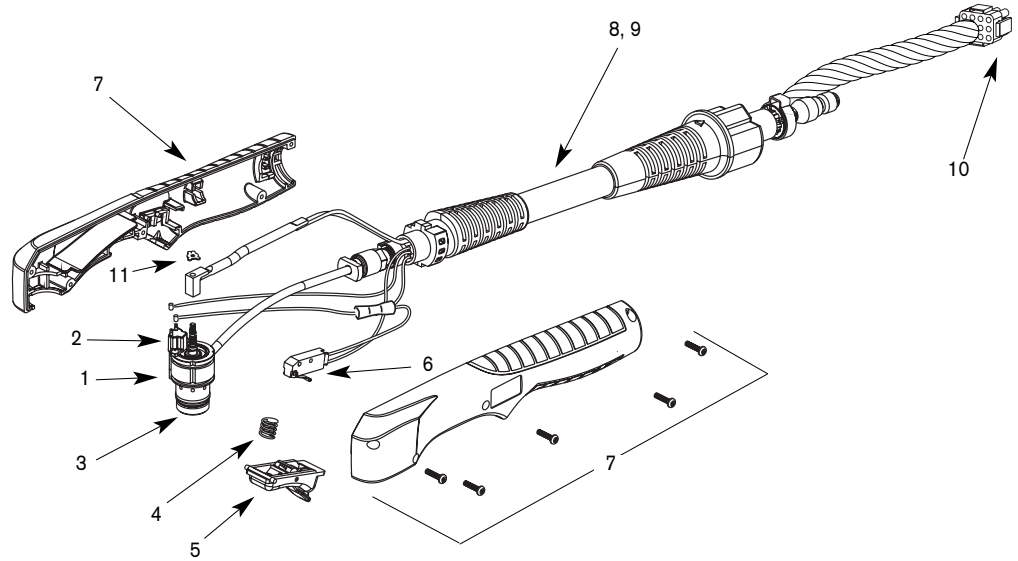


T60 Torch



	ITEM NUMBER	PART NUMBER	DESCRIPTION	QUANTITY PER PACKAGE
Shielded parts	1	120929	Shield	1
	2	120928	Retaining Cap	1
	3	120931	Nozzle, 60 Amp	5
	3	120932	Nozzle, 40 Amp	5
	4	120926	Electrode	5
	5	120925	Swirl Ring	1
Shielded Gouging parts	6	120977	Shield, Gouging	1
	2	120928	Retaining Cap	1
	7	220059	Nozzle, Gouging	5
	4	120926	Electrode	5
	5	120925	Swirl Ring	1
Extended Unshielded parts	8	120979	Deflector	1
	2	120928	Retaining Cap	1
	9	220007	Nozzle, Extended, 60 Amp	5
	10	220006	Nozzle, Extended, 40 Amp	5
	4	120926	Electrode	5
	5	120925	Swirl Ring	1
FineCut™ parts	8	120979	Deflector	1
	11	220325	Deflector, CE	1
	2	120928	Retaining Cap	1
	12	220329	Nozzle, T60/T80/T100	5
	4	120926	Electrode	5
	13	220327	Swirl Ring	1

Powermax1000 T60 trigger torch assembly



T60 Torch

ITEM NUMBER	PART NUMBER	DESCRIPTION
	083172^	T60 Hand Torch Assembly, 25' (7.6 m)
	083171^	T60 Hand Torch Assembly, 50' (15.2 m)
1	128564	Kit: T60/T80 Torch Main Body Replacement
2	128639	Kit: Cap Sensor Switch Replacement
3	128521	Kit: T60/T80, T60M/T80M Torch Head Repair
4	027254	Trigger Spring
5	002244	Safety Trigger Assembly
6	128642	Kit: T60/80 Start Switch Replacement
7	128644	Kit: T60 Torch Handle Replacement
8	128681	Kit: T60 Lead Replacement 25' (7.6 m)
9	128682	Kit: T60 Lead Replacement 50' (15.2 m)
10	128638	Kit: ETR Connector Repair (Regional Repair Centers Only)
11	027889	Retaining Clip

^ Assembly includes consumables