

# Hypertherm®

## powermax1250® G3 SERIES™

### Hand torch parts

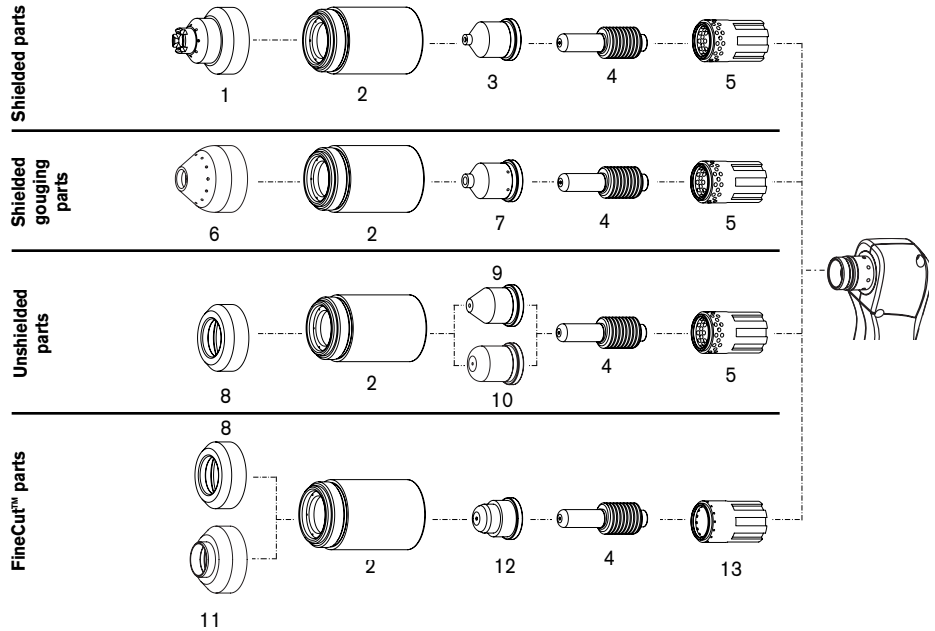
#### T80 consumables



Powermax1250

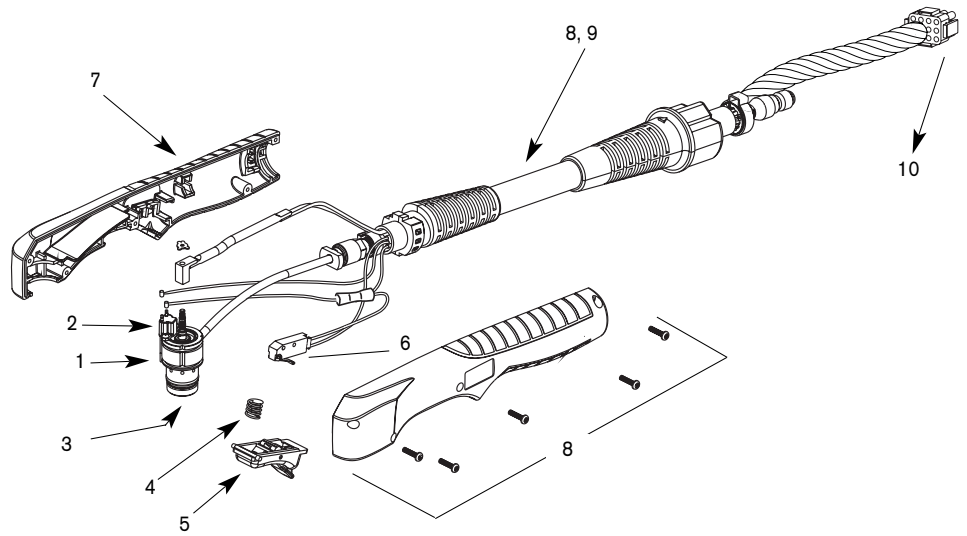


T80 torch



	ITEM NUMBER	PART NUMBER	DESCRIPTION	QUANTITY PER PACKAGE
Shielded parts	1	120929	Shield	1
	2	120928	Retaining Cap	1
	3	120927	Nozzle, 80 Amp	5
	3	120931	Nozzle, 60 Amp	5
	3	120932	Nozzle, 40 Amp	5
Shielded gouging parts	4	120926	Electrode	5
	5	120925	Swirl Ring	1
	6	120977	Shield, Gouging	1
	2	120928	Retaining Cap	1
	7	120978	Nozzle, Gouging	5
Unshielded parts	4	120926	Electrode	5
	5	120925	Swirl Ring	1
	8	120979	Deflector	1
	2	120928	Retaining Cap	1
	9	120980	Nozzle, Extended, 80 Amp	5
	9	220007	Nozzle, Extended, 60 Amp	5
FineCut™ parts	10	220006	Nozzle, Extended, 40 Amp	5
	4	120926	Electrode	5
	5	120925	Swirl Ring	1
	8	120979	Deflector	1
	11	220325	Deflector, CE	1
	2	120928	Retaining Cap	1
	12	220329	Nozzle	5
	4	120926	Electrode	5
	13	220327	Swirl Ring	1

# Powermax1250 T80 safety trigger torch assembly



**T80 torch**

ITEM NUMBER	PART NUMBER	DESCRIPTION
	087001^	T80 Hand Torch Assembly, 25' / 7.6 m
	087002^	T80 Hand Torch Assembly, 50' / 15.2 m
1	128564	Kit: T80 Torch Main Body Replacement
2	128639	Kit: Cap Sensor Switch Replacement
3	128521	Kit: T80/T80M Torch Head Repair
4	027254	Trigger Spring
5	002244	Safety Trigger Assembly
6	128642	Kit: T80 Start Switch Replacement
7	128644	Kit: T80 Torch Handle Replacement
8	128636	Kit: T80 Lead Replacement, 50' / 15.2 m
9	128637	Kit: T80 Lead Replacement, 25' / 7.6 m
10	128638	Kit: ETR Connector Repair

**^ Assembly includes consumables**