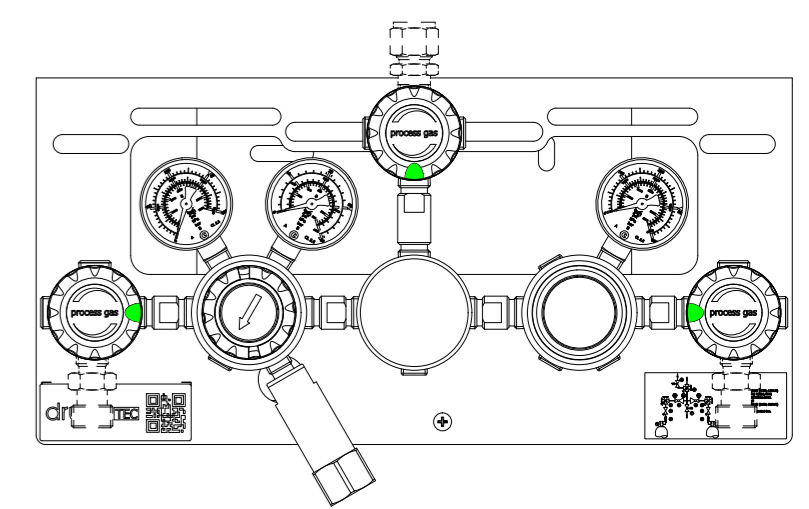
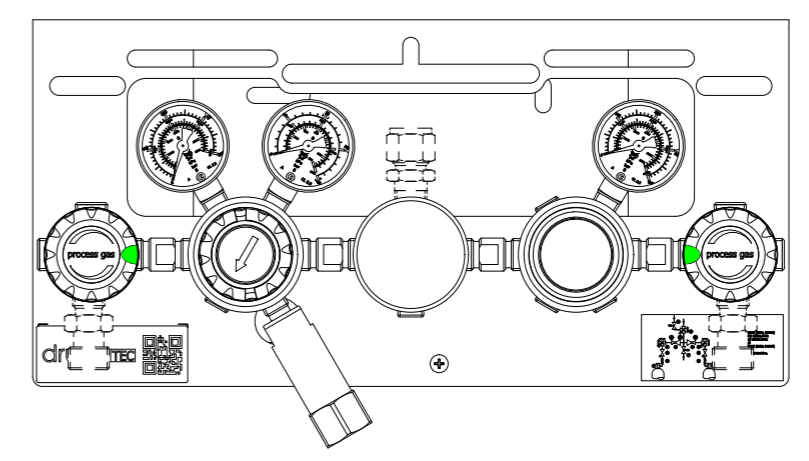


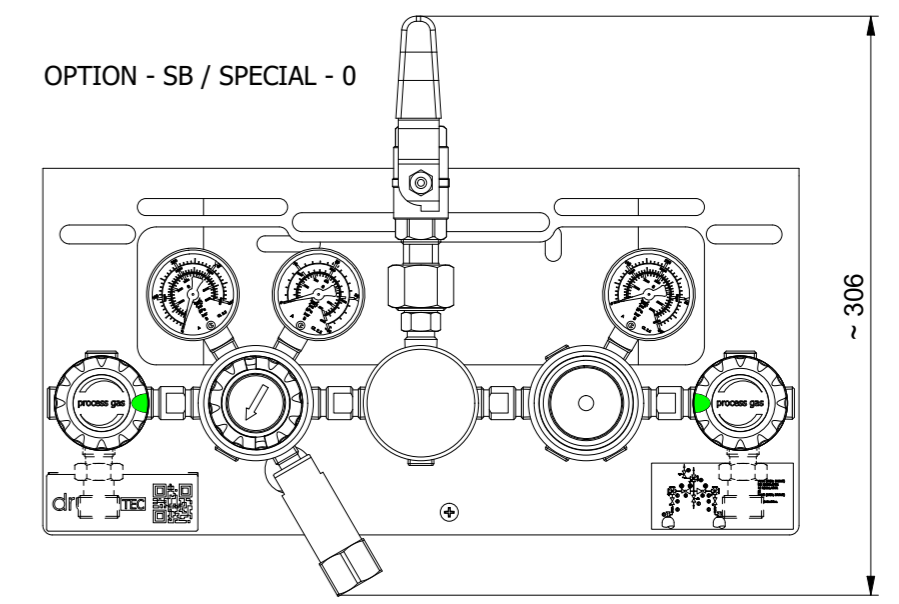
STANDARD VERSIONS OVERVIEW
OVERVIEW OF ADDITIONAL VERSIONS - SHEET NO. 2

OPTION - S0 / SPECIAL - 0

OPTION - SS / SPECIAL - 0



OPTION - SB / SPECIAL - 0



ORDERING INFORMATION

MTMHES S SX X XX XX XX XX XXXX XXXX XXXX

- STAGES:**
S - SINGLE STAGE
- OPTIONS:**
S0 - HP SHUT-OFF VALVE + LP WITHOUT
SS - HP SHUT-OFF VALVE + LP SHUT-OFF VALVE
SB - HP SHUT-OFF VALVE + LP BALL VALVE
- SPECIALS:**
0 - WITHOUT
C - CHECK VLV
F - SAFETY DEV. FLAM.
G - CHECK VLV + SAFETY DEV. FLAM.
H - CHECK VLV + SAFETY VLV + SAFETY DEV. FLAM.
N - SAFETY DEV. OXY/AIR
P - CHECK VLV + SAFETY DEV. OXY/AIR
Q - CHECK VLV + SAFETY VALVE + SAFETY DEV. OXY/AIR
S - SAFETY VLV
U - CHECK VLV + SAFETY VLV
Y - SAFETY DEV. FLAM. + SAFETY VLV
Z - SAFETY DEV. OXY/AIR + SAFETY VLV

- INLET PRESSURE:**
F4 - 60 BAR
FX - 200 BAR
GX - 300 BAR

- OUTLET PRESSURE:**
D2 - 10 BAR
E1 - 20 BAR
E2 - 40 BAR
F2 - 100 BAR

- PURGE CONNECTION:**
0001 - WITHOUT (PLUGGED)
- PROCESS OUTLET CONNECTION:**
N38F - NPT3/8" FEMALE
MORE VERSIONS ON LIST OF CONNECTIONS
- PROCESS INLET CONNECTION:**
N38F - NPT3/8" FEMALE
E2MR - G3/8" MALE EN 560 RIGHT HAND
W2ML - WHITWORTH 21.8X1/4 MALE LEFT HAND
W2MR - WHITWORTH 21.8X1/4 MALE RIGHT HAND

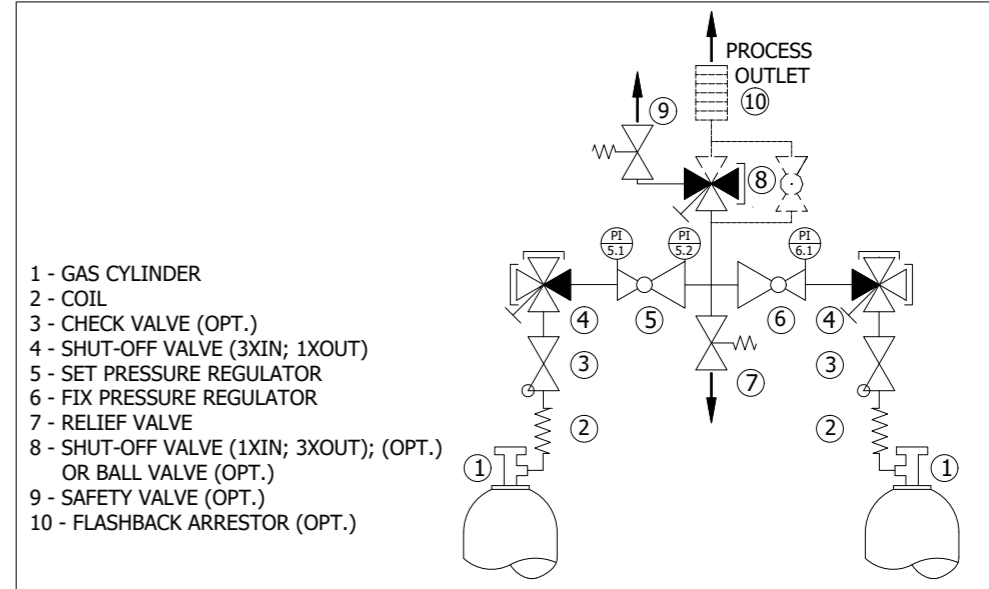
- OUTLET GAUGE TYPE:**
BT - BOURDON TUBE
I2 - INDUCTIVE CONTACT I2
R2 - REED CONTACT R2
I1 - INDUCTIVE CONTACT I1
R5 - REED CONTACT R5

- INLET GAUGE TYPE:**
BT - BOURDON TUBE
I1 - INDUCTIVE CONTACT I1
R5 - REED CONTACT R5

LIST OF PROCESS OUTLET CONNECTIONS

- N38F - NPT3/8" FEMALE
- G12F - G1/2" FEMALE
- M12B - COMPRESSION FITTING 12MM BRASS
- M15B - COMPRESSION FITTING 15MM BRASS
- M18B - COMPRESSION FITTING 18MM BRASS
- M12S - COMPRESSION FITTING 12MM SS
- M15S - COMPRESSION FITTING 15MM SS
- M18S - COMPRESSION FITTING 18MM SS
- M25S - COMPRESSION FITTING 25MM SS
- IX8B - COMPRESSION FITTING 1/2" BRASS
- I10B - COMPRESSION FITTING 5/8" BRASS
- I12B - COMPRESSION FITTING 3/4" BRASS
- I14B - COMPRESSION FITTING 7/8" BRASS
- IX8S - COMPRESSION FITTING 1/2" SS
- I12S - COMPRESSION FITTING 3/4" SS
- I16S - COMPRESSION FITTING 1" SS

AVAILABILITY OF BRASS FITTINGS DEPENDING ON PRESSURE AND SIZE.
PAY ATTENTION TO THE MAXIMUM APPROVED PRESSURE OF YOUR PIPEWORK



- 1 - GAS CYLINDER
- 2 - COIL
- 3 - CHECK VALVE (OPT.)
- 4 - SHUT-OFF VALVE (3XIN; 1XOUT)
- 5 - SET PRESSURE REGULATOR
- 6 - FIX PRESSURE REGULATOR
- 7 - RELIEF VALVE
- 8 - SHUT-OFF VALVE (1XIN; 3XOUT); (OPT.) OR BALL VALVE (OPT.)
- 9 - SAFETY VALVE (OPT.)
- 10 - FLASHBACK ARRESTOR (OPT.)

TECHNICAL SPECIFICATION

MATERIAL OF GAS WETTED PARTS:
REGULATOR BODY: BRASS (CW614N)
REGULATOR DIAPHRAGM: HASTELLOY (C276)
REGULATOR SEAL: PVDF
REGULATOR SEAT: PCTFE
RELIEF VALVE SEAT: EPDM
SAFETY VALVE SEAT: EPDM
SAFETY VALVE OUTLET CONN. NPT1/2"F

INLET PRESSURE: MAX.300 BAR
FLOW NOMINAL: 100 Nm³/h (N₂)
ACC. TO ISO 7291 AT 20 BAR OUT

GAS TYPE
DEFINED BY PRODUCT LINE AND TYPE
(CHECK APPROVED GAS TYPE IN DATASHEET)

TEC LINE:
NON-CORROSIVE GASES
NON-TOXIC GASES



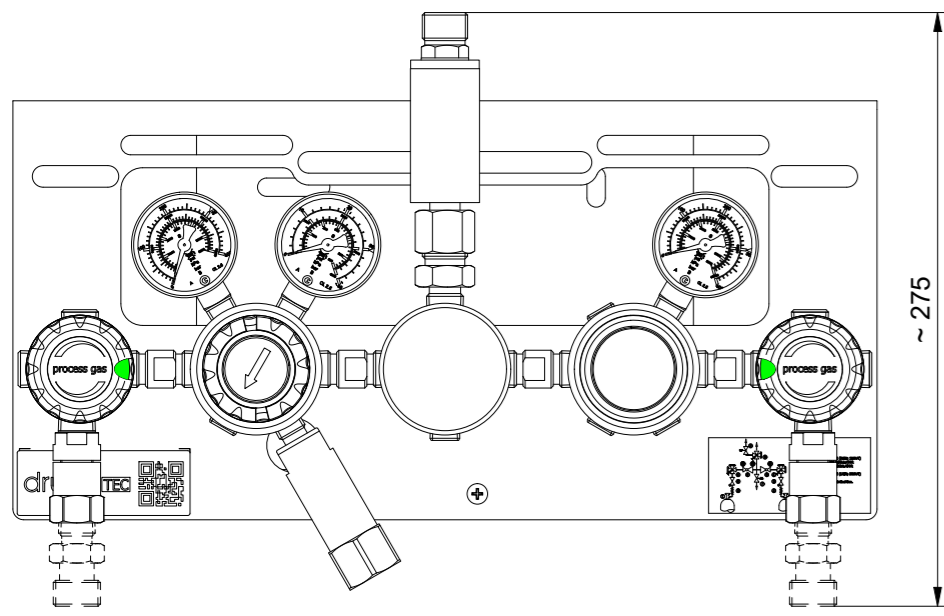
Polotovár / Raw material	Rozměr polotovaru / Dim. of raw material	Povrchová úprava / Surface finish	Hmotnost / Weight
Materiál / Material	Materiál / Material	Starý výkres / Old drawing	9,60 kg
Komentář / Notice	Opracování / Machining	Kritický rozměr značen / Critical dimension marked	1 / 3
Datum vypracování / Creation date	9.2.2021	ISO 2768 m,K	
Vypracoval / Created	Chadim	Měřítko / Scale	1:2
Kontroloval / Inspected	Lubos Ondracek		
Schválil / Approved	Dr. Th. Kuester		
Klasifikace / Item Class	B: Standard		

MANIFOLD TEC-LINE MID FLOW HE
MAN TEC 100Q HE 2SEMI SGL INSHUTOF

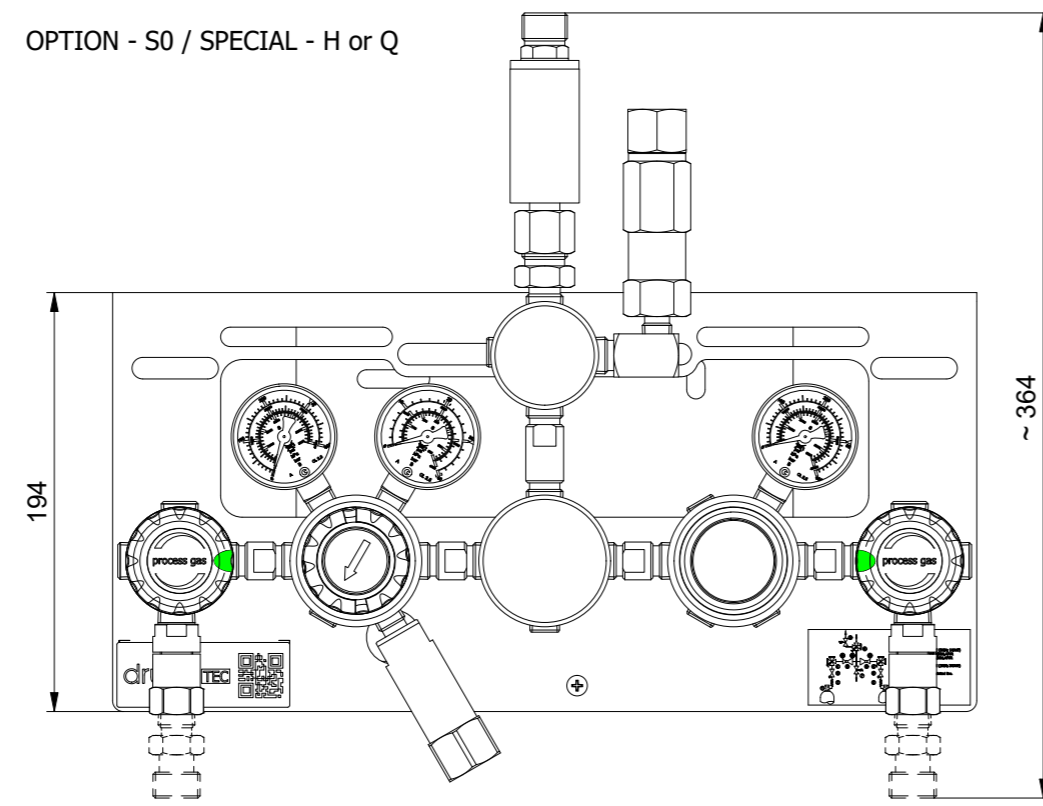


EXAMPLE: MTMHESSSS0GXEZBTBTN38FM12S0001

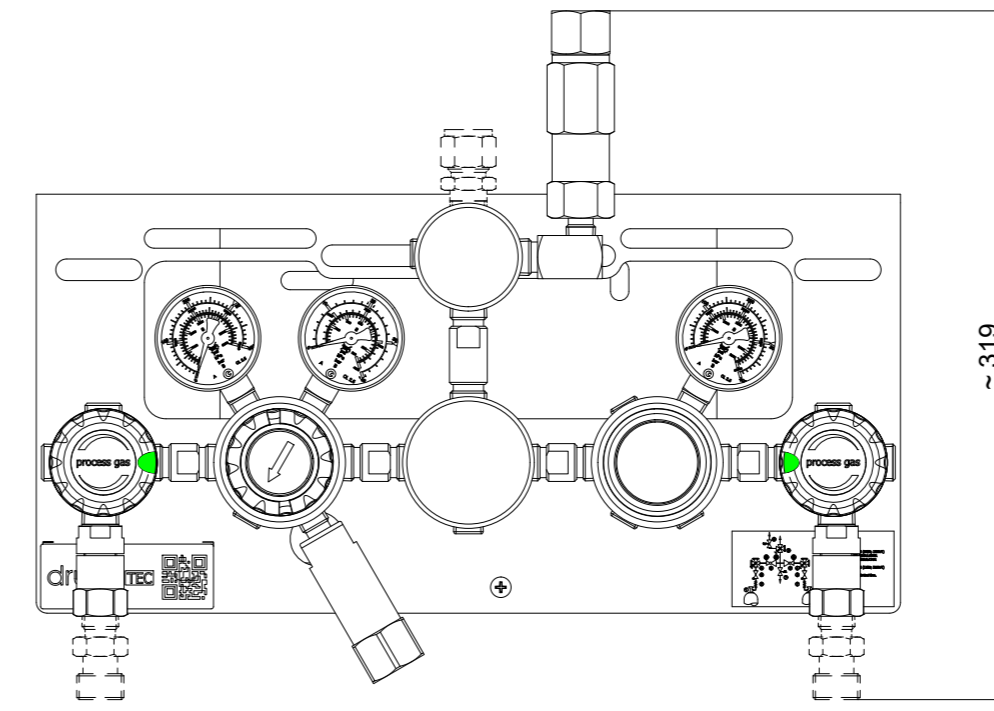
OPTION - S0 / SPECIAL - G or P



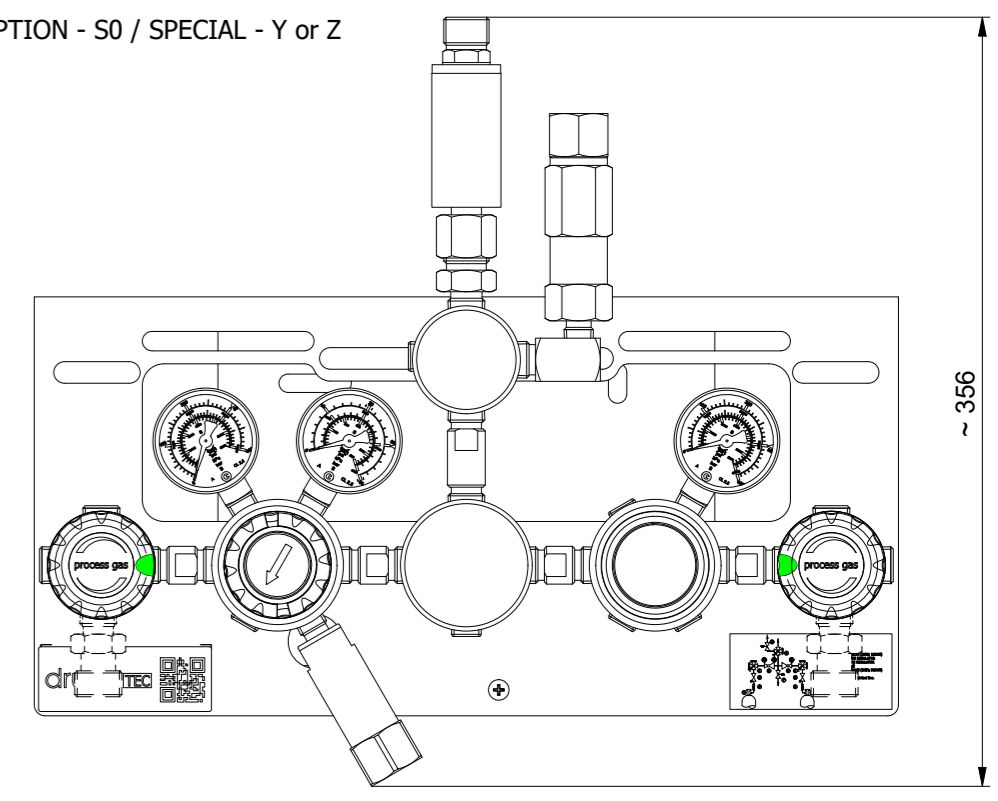
OPTION - S0 / SPECIAL - H or Q



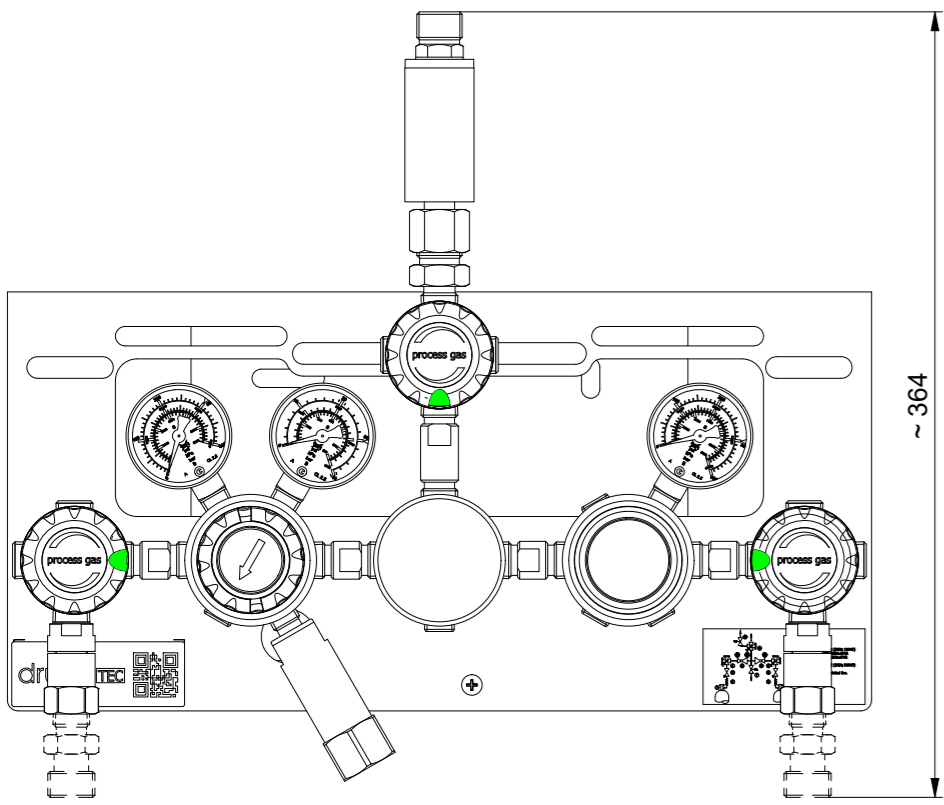
OPTION - S0 / SPECIAL - U



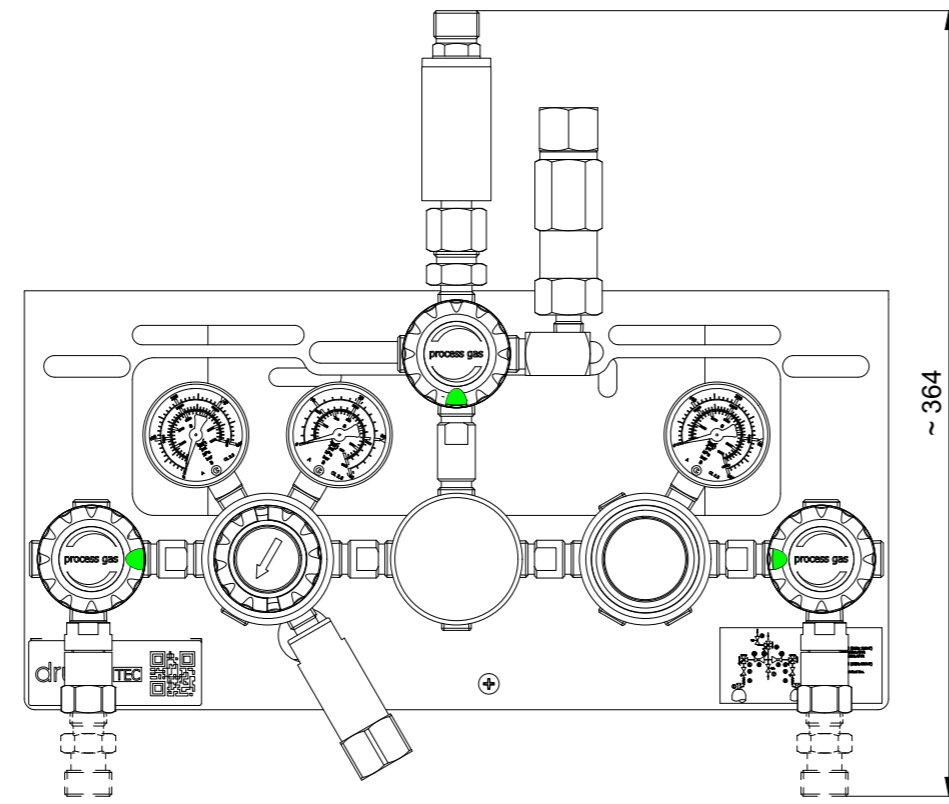
OPTION - S0 / SPECIAL - Y or Z



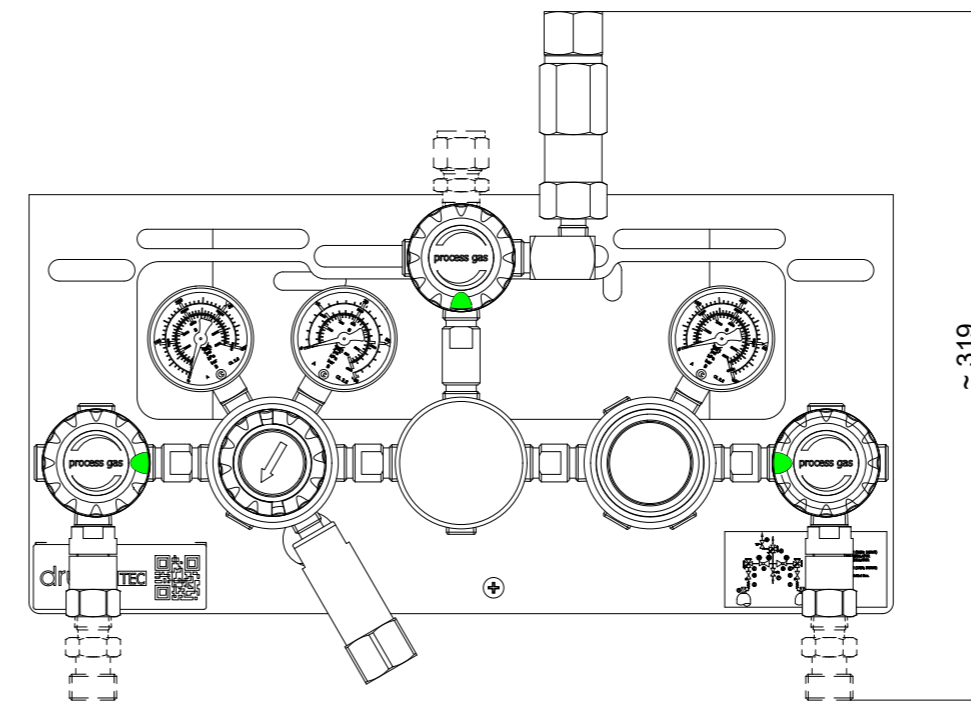
OPTION - SS / SPECIAL - G or P



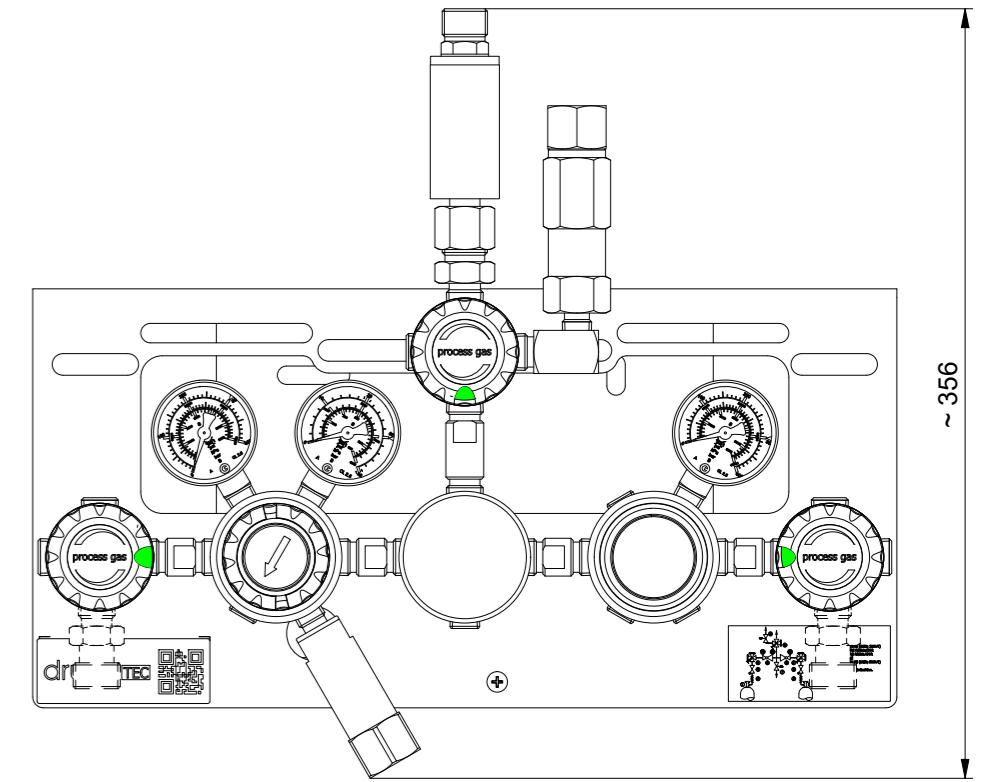
OPTION - SS / SPECIAL - H or Q



OPTION - SS / SPECIAL - U



OPTION - SS / SPECIAL - Y or Z



OPTION - SB / SPECIAL - H or Q

NOT AVAILABLE

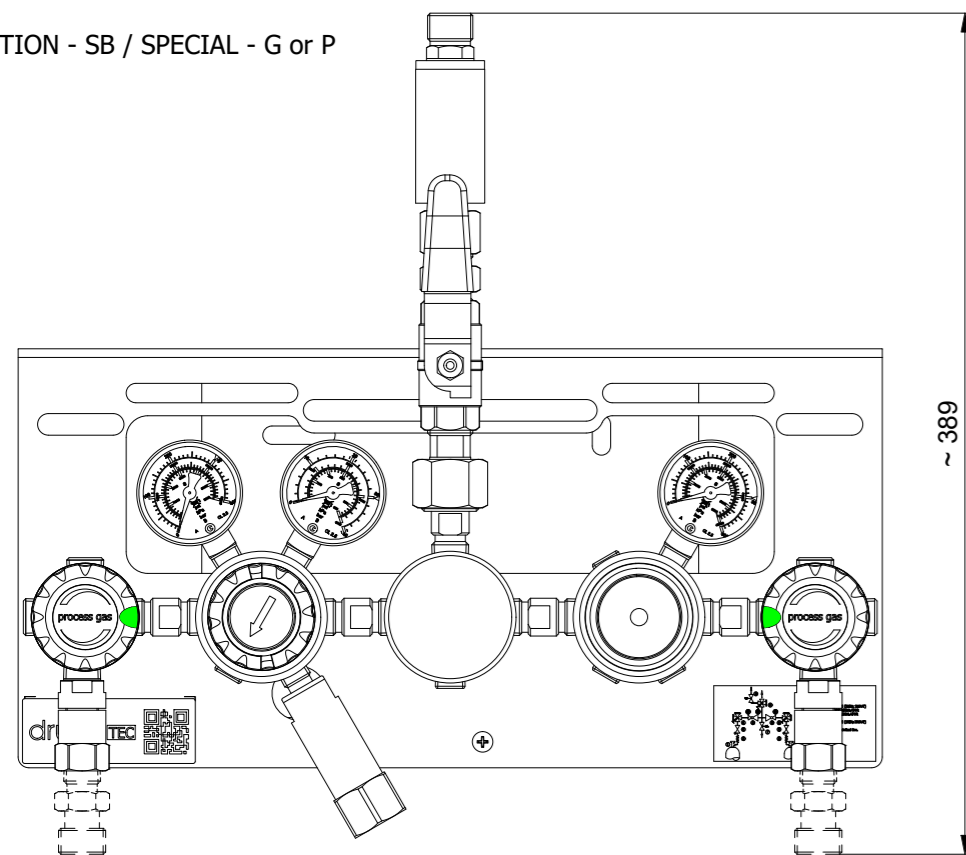
OPTION - SB / SPECIAL - U

NOT AVAILABLE

OPTION - SB / SPECIAL - Y or Z

NOT AVAILABLE

OPTION - SB / SPECIAL - G or P



Polotovar Raw material Materiál Material	Rozměr polotovaru Dim. of raw material Materiál Material	Povrchová úprava Surface finish Starý výkres Old drawing	Hmotnost Weight List / Počet listů Sheet / Number of sheets 2 / 3
Datum vypracování Creation date Vytvořitel Created Kontroloval Inspected Schválil Approved Klasifikace Item Class	Opracování / Machining Ra Měřítko / Scale 1:3,5	Kritický rozměr značen KR Critical dimension marked Netto rozměry / Dim. without tol. ISO 2768 m,K -0,1 -0,3 +0,3 +0,1	MANIFOLD TEC-LINE MID FLOW HE MAN TEC 100Q HE 2SEMI SGL INSHUTOF